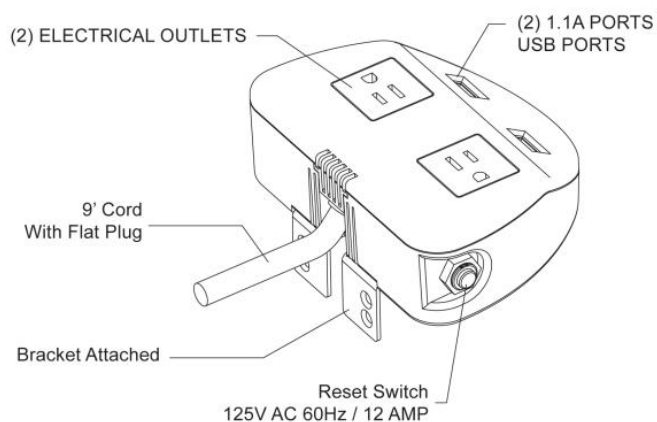


“Power Pad II™”



Model number: 9900-BLACK

Specifications:

- 9 foot cord with flat plug
- Two-outlets
- 125Vac 60HZ 12 Amp
- Two-USB 1.1A ports
- 5" Wide by 4" Deep, 1.5" Thickness
- ETL Listed for attaching to Furniture
- Reset switch if overloaded
- Bracket attached and mounting screws included
- Easily installed by Hotel Engineers
- Optional strap for High Speed internet included
- 24 per carton
- In Stock

Note: Special double sided sticky tape is available from Dolan Hospitality to attach to glass/ granite or if property does not want to screw it into furniture. This is an additional purchase.



Order on our Website and Save!

800 218-3995 | www.GoAVM.com
Fax: 800-518-5528 | sales@goavm.com

Power Pad II™ DCL 9900 Assembly Instructions

Step 1. Carefully unpack **Power Pad II™** and all components.

Step 2. Place the **outlets** upside down and carefully attach the **self adhesive** of the **rubber pads** to the holes on the bottom of the **Power Pad II™** (optional). See **Figure 1**.

Step 3. Optional **data cable** is included, put the **plastic strap A** and **plastic strap B** together with **data cable** inserted. (It will look like the drawing shown in **Figure 2-B**).

Step 4. Place the **Power Pad II™** on the **table top**, line up holes on **table** with the holes in **metal bracket** and also holes in **plastic straps** (optional). See **Figure 3**. Tighten the **screws** to secure the **Power Pad II™**. (It will look like the drawing shown in **Figure 4**).

Tips: We recommend the **plastic straps** be mounted on right side as shown.

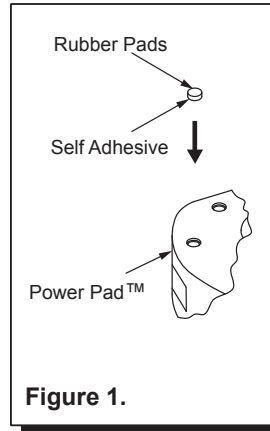


Figure 1.

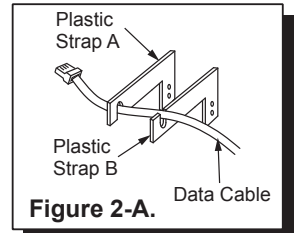


Figure 2-A.

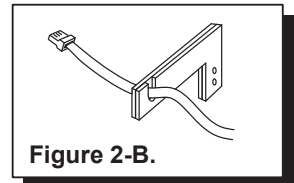


Figure 2-B.

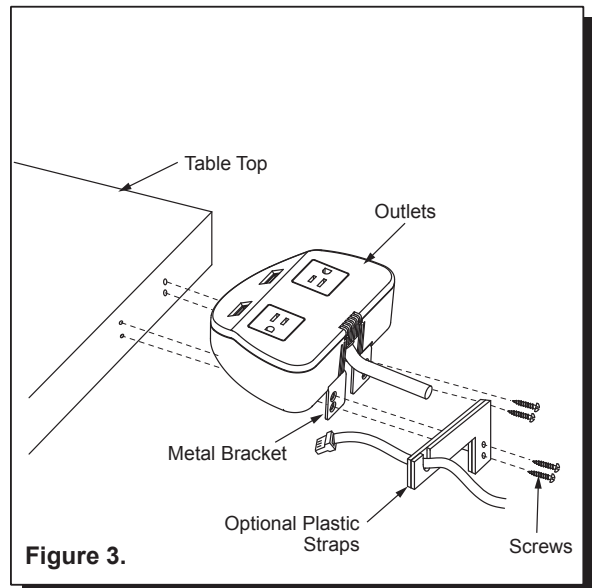


Figure 3.

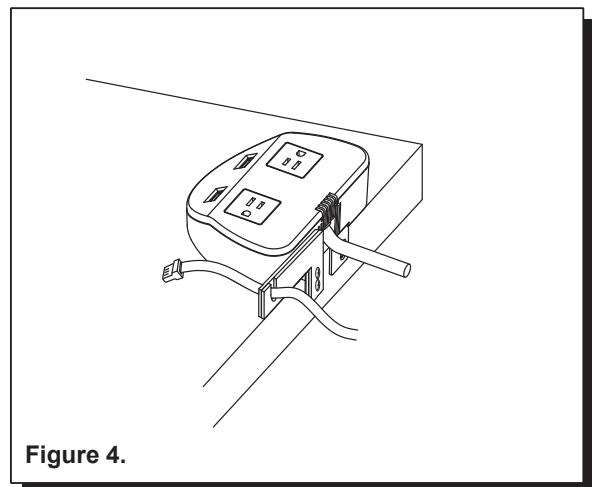


Figure 4.

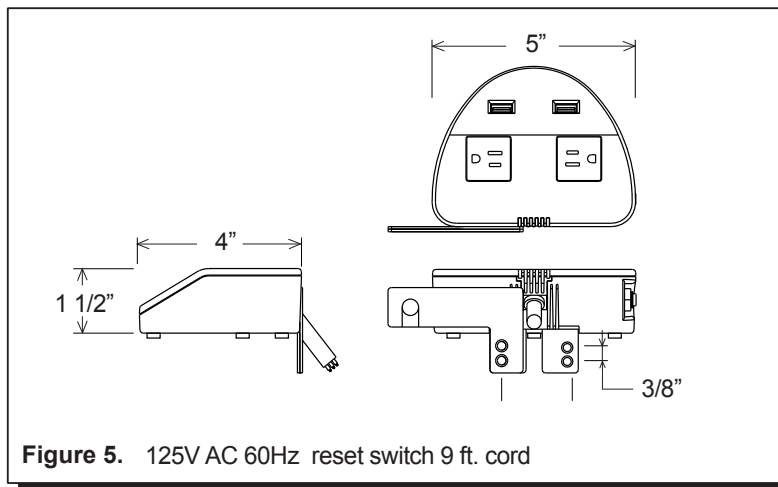


Figure 5. 125V AC 60Hz reset switch 9 ft. cord

Note: When using the **Power Pad II™** do not exceed maximum amperage rating.



Order on our Website and Save!
800 218-3995 | www.GoAVM.com
Fax: 800-518-5528 | sales@goavm.com