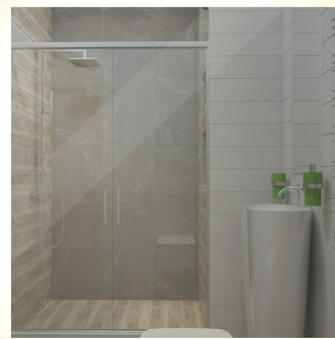


LED BACKLIT MIRROR



48"W x 36"H *in stock*



36"W x 36"H *in stock*



24"W x 36"H *in stock*

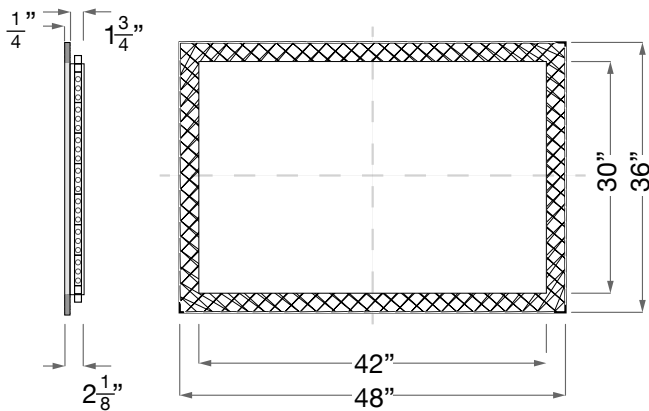
LED backlit mirrors offer industry leading design, quality and value. Produced specifically for the hospitality market, they feature advanced super bright 5730 SMD LEDs mounted to a rigid aluminum heat sink for high lumen output and extreme long life. All glass and coatings are copper, arsenic and lead free, made from primarily recycled materials.

Super Bright LED 5730 SMD LED's, up to 3 times brighter than typical 5050 SMDs
22+ year LED lifespan Superior thermal management to maximize durability

Environmentally Friendly Mirrors made with copper, arsenic and lead free float plate glass
Compliant with UL 1598 Standard for lighted mirrors

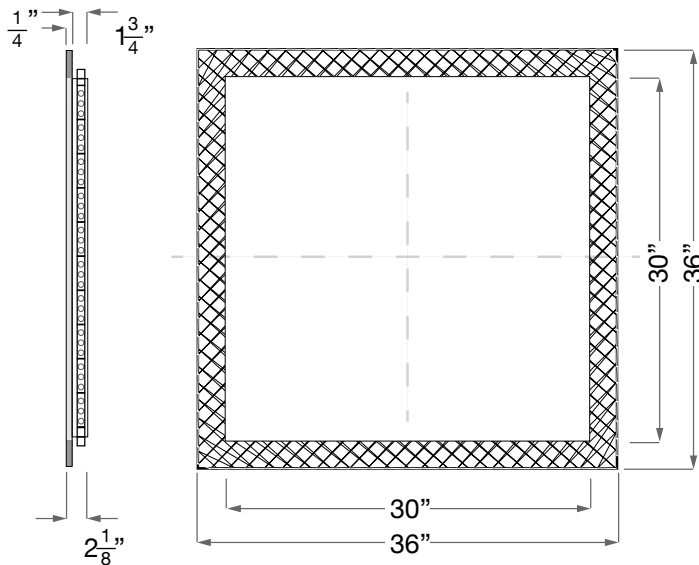
LED BACKLIT MIRROR

MIR-LED-LM4836



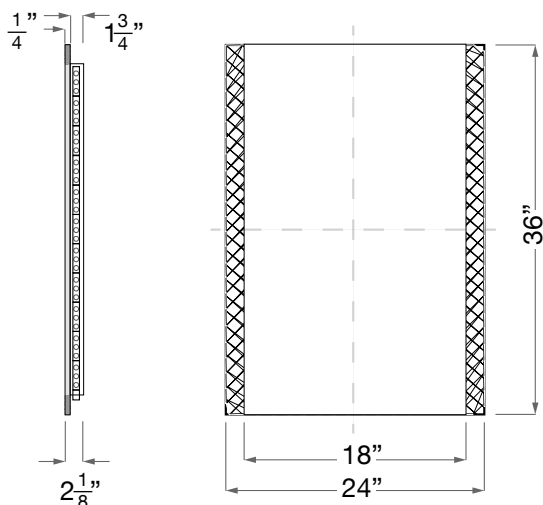
- Dimensions: 48"W x 36"H x 2.125"D
- Wattage: 100W
- Output: 11,000 Lumens
- Color Temp: 3000K
- CRI: 85+
- Plug in, switched remotely at wall

MIR-LED-LM3636



- Dimensions: 36"W x 36"H x 2.125"D
- Wattage: 85W
- Output: 9,100 Lumens
- Color Temp: 3000K
- CRI: 85+
- Plug in, switched remotely at wall

MIR-LED-LM2436



- Dimensions: 36"W x 36"H x 2.125"D
- Wattage: 56W
- Output: 4,600 Lumens
- Color Temp: 3000K
- CRI: 85+
- Plug in, switched remotely at wall