

SAMSUNG



# 477/577 SERIES HOSPITALITY TVs

32" Class LED TV-HG32NA477GFZA  
40" Class LED TV-HG40NA577LFXZA

PREMIUM AT-HOME, IN-ROOM ENTERTAINMENT FOR EVERY GUEST



## KEY FEATURES



### Direct-Lit LED Technology

Direct-lit LED technology provides the brilliance and energy savings advantages of LED technology, along with the uniform brightness typical of CCFL displays. And it does it all with an efficiency that makes it a more affordable technology. In fact, it's possible to upgrade your rooms to LED technology for a cost comparable to CCFL technology.



### Samsung LYNK™ REACH Content Management Solution

The Samsung REACH (Remote Enhanced Active Control for Hotels) Management Solution is used in conjunction with an existing coaxial-based infrastructure. It provides centralized TV controls, basic static content management capabilities and an Interactive Program Guide (IPG). Property management will be able to easily update and change information using a Windows-based system.



### Samsung LYNK™ HD Content Decryption

Samsung's software-based DRM technology is integrated into the entire Samsung 2014 Hotel TV line. Samsung LYNK™ offers a robust solution to unlock premium HDTV content from content providers such as cable, satellite and VOD providers, with maximum efficiency and security.



### Pro:Idiom™ HD Content Decryption DRM

The 477/577 Series is equipped with Pro:Idiom™ MPEG4 technology, making the TVs compatible with most major VOD/PPV systems. You can offer your guests premium HDTV content from cable, satellite or video-on-demand services with no optional cards or external box needed.



### A Host of Features

Features include: Volume Limiters, Front Panel Lock-out, Menu Display Lock-out, Hotel Custom Logo/Welcome Message, Channel List Guide, Channel Re-mapping, Remote Jack Pack (RJP) Priority, USB Cloning and Anti-Theft Battery Cover Remote Control. Display pedestal stand rotates 90° in both directions with optional 20, 60 and 90 degree stops integrated in lockdown mount base.

## DIRECT-LIT LED LCD TVS PUT HOTELS IN THE BEST LIGHT POSSIBLE

The Samsung 477/577 Series is designed to deliver the entertainment today's guests demand. Available in 32", 39" and 40" sizes, they feature direct-lit LED technology, so you can deliver a heightened viewing experience that guests are sure to appreciate. Your guests get stunning Samsung picture quality, while you enjoy a cost of entry similar to that of a CCFL back-lit option. LED also uses up to 50% less energy, helping you conserve and save money. The Samsung REACH management solution makes content management simple. Samsung's LYNK™ DRM and Pro:Idiom™ DRM technology protects content, while offering guests a seamless viewing experience.



**Order on our Website and Save!**

**800 218-3995 • [www.GoAVM.com](http://www.GoAVM.com)**

**Fax: 800-518-5528 • [sales@goavm.com](mailto:sales@goavm.com)**

# Samsung 477/577 Series Hospitality TVs

Samsung Hospitality TVs are loaded with features that provide premier guest satisfaction, while making your job easier.

## HOSPITALITY FEATURES

### Hotel Mode Plug & Play

Interactive and Stand Alone.

### USB Cloning

A quick and easy way to copy the ideal settings of television to others on the property. Saves time and helps provide a consistent viewing experience for all televisions.

### Hotel Channel List

Guest master channel listing of program content. This will display content in analog or HD.

### Hotel TV (RJ-12/IR Pass Through)

Connecting Interactive STB/SBD (Set Top/Back Box)

### Hotel Logo Display with Time Out Setting

Display hotel logo bitmap files as a greeting startup display.

### Remote Enhanced Active Control for Hotels (REACH/Management Solution):

Used with coaxial-based solution designed to provide centralized TV controls, basic static content management capabilities and Interactive Program Guide (IPG). The Hotel Guest, in a (free-to-guest) hotel can experience picture and content such as: hotel information, local and in-room dining, spa, meeting and events, local attractions and other simple guest convenience features. Property management will be able to update and change information on an easy Windows-based system.

### Power On Status Setting

Power always on, last option or standby.

### Anti-Theft Battery Cover

Battery door is secured helping to always keep batteries in the remote controller.

### Auto Channel Search

Auto detect channel while in hotel mode.

### Multi-code Remote

Eliminates interference when two or more TVs are used in close proximity.

### Energy Saving Mode (BLU Control)

Samsung's range of energy-efficient LED TVs is setting the standard when it comes to saving energy and reducing costs. Samsung Hospitality Displays are a cost-effective business solution due to their energy-efficient features and ability to decrease maintenance and management oversight.

Our Hospitality Displays offer a number of energy-efficient advantages that are designed to lower power usage and your overall energy bill. This means a 55" Samsung LED TV consumes the same amount of energy as a conventional 32" LCD TV. What's more, LED TVs from Samsung are durable, offering a long lifetime without loss of picture quality. Samsung Displays are also built with less harmful materials, so that the manufacturing and recycling processes are much more efficient and friendlier to the environment.

### Samsung LYNK™ HD Content Decryption DRM

Samsung's software-based DRM technology is integrated into the entire Samsung 2014 Hotel TV line. Samsung LYNK™ offers highly reliable access to unlock premium HDTV content from content providers such as cable, satellite and VOD providers. Samsung's advanced LYNK™ DRM helps eliminate tampering HD premium content without disruptive service to the hotel guest.

### Pro:Idiom™ HD Content Decryption DRM

Pro:Idiom is a registered trademark of the Zenith Corporation. May be used as an alternative DRM solution on some models.

### Sleep Timer

Set TV turn-off time in 30-minute intervals up to 180 minutes.

### Closed Captioning

A text display of all audio content including spoken dialog and non-speech information such as the identity of the speakers and symbols for sound effects and music.

## OSD Language

English/French/Spanish

## Picture-in-Picture

Display one program while another is being displayed on the full TV screen at the same time.

## Clock On Timer and Alarm Key

This allows the guest to program the TV to turn on as a wake-up alarm.

## CONNECTIONS

### Anynet + (HDMI – CEC)

Samsung protocol that allows the user to control other HDMI devices connected to the TV display. Examples of these devices are DVD and Soundbars.

### ConnectShare™ (USB 2.0)

Connect a thumb drive or digital camera quickly and easily. User-friendly interface allows access to videos, a music playlist and pictures via the remote.

### Interactive Compatibility System



### Remote Jack Panel (RJP) Compatibility



## PICTURE QUALITY AND AUDIO

### Auto Volume Limiter

During initial product setup, minimum and maximum volume levels can be locked to help minimize disturbance to other hotel guests.

### Music Mode (Input: HDMI/PC/AV/Component)

When picture is muted, allows audio feedback.

### Music Mode Backlight On/Off

Background Display

### Swivel Stand with Optional Stops

Samsung Hospitality Displays pedestal stand rotates 90 degrees in both directions with optional 20-, 60- and 90-degree stops so wherever in the room your guests are they should have an excellent view of their TV. Swivel stand includes integrated mounting plate and bolt down kit (4 bolts, 2 nuts, 2 washers).

### Samsung Soundbar Compatible

Samsung Hospitality Displays enable Soundbar compatibility by supporting HDMI-CEC. When you connect the Soundbar to the Samsung Hospitality Display with an HDMI cable, the TV audio settings and menu lock feature are automatically applied, so you don't have to set up the Soundbar separately. You can also prevent guests from changing the settings. With one single remote, guests can control both the TV and Soundbar simultaneously.

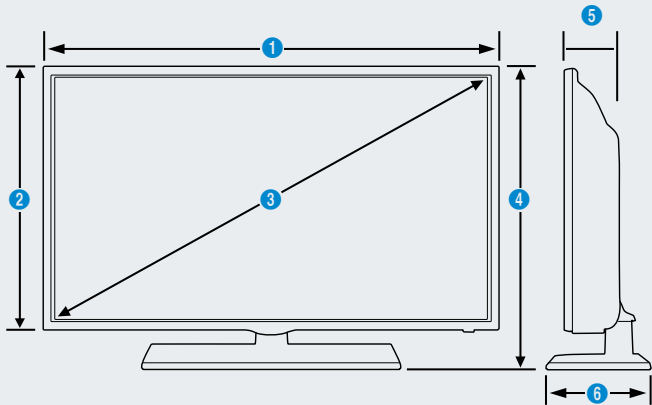
## WARRANTY

2-year parts and 2-year labor warranty

## Samsung 477/577 Series Hospitality TVs



### Dimensions



**32" | HG32NA477GF** - 720p | 4000:1 Contrast Ratio

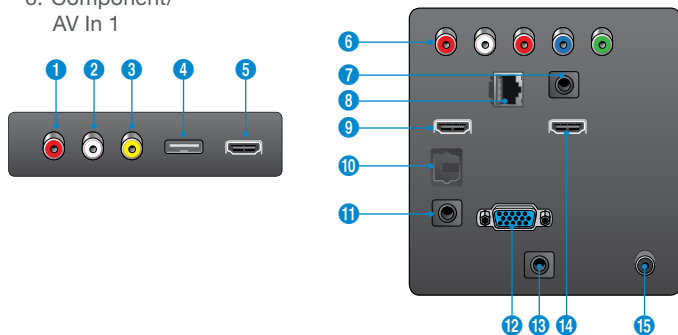
1	2	3	4	5	6
29.3"	18.3"	32.0"	20.6"	3.7"	7.5"

**40" | HG40NA577LF** - 1080p | 5000:1 Contrast Ratio

1	2	3	4	5	6
36.5"	21.6"	40.0"	23.8"	3.7"	8.9"

### Connectivity

- |                      |                       |                     |
|----------------------|-----------------------|---------------------|
| 1. Right Audio       | 7. Ex-Link            | 12. PC In           |
| 2. Left Audio        | 8. Data               | 13. Audio Out       |
| 3. Video In          | 9. HDMI In 1 (DVI)    | 14. HDMI In 2 (ARC) |
| 4. USB               | 10. Digital Audio Out | 15. ANT In          |
| 5. HDMI In 3         | 11. PC/DVI Audio In   |                     |
| 6. Component/AV In 1 |                       |                     |



### DIGITAL RIGHTS MANAGEMENT (DRM)

#### Pro:Idiom™ HD Content Decryption DRM (RF) Pro:Idiom

The 477/577 Series is equipped with Pro:Idiom™ MPEG4 technology, making the TVs compatible with most major VOD/PPV systems. You can offer your guests premium HDTV content from cable, satellite or video-on-demand services with no optional cards or external box needed.

#### Samsung LYNK™ HD Content Decryption DRM LYNK

Samsung's software-based DRM technology is integrated into the entire Samsung 2014 Hotel TV line. Samsung LYNK™ offers a robust solution to unlock premium HDTV content from content providers such as cable, satellite and VOD providers, with maximum efficiency and security.



**SAMSUNG 477/577 SERIES HOSPITALITY TVs KEY SPECIFICATIONS** For complete product specifications, visit [samsung.com/hospitality](http://samsung.com/hospitality)

	<b>Model #</b>	<b>32" Class LED TV-HG32NA477GFZA</b>	<b>40" Class LED TV-HG40NA577LFXZA</b>
Display	Backlight	Direct-Lit LED	Direct-Lit LED
	Screen Size (Diagonal)	32"	40"
	HD/FHD	HD	FHD
	Resolution	1366 x 768	1920 x 1080
Video	Picture Engine	HyperReal Engine	HyperReal Engine
	Wide Color Enhancer Plus	Yes	Yes
	Film Mode	Yes	Yes
Audio	Dolby	Dolby Digital Plus / Dolby Pulse	Dolby Digital Plus / Dolby Pulse
	DTS Studio Sound / DNSe+	DTS Studio Sound	DTS Studio Sound
	DTS Premium Sound	DTS Premium Sound 5.1	DTS Premium Sound 5.1
	Auto Volume Leveler	Yes	Yes
	Speaker Type	Down Firing + Full Range	Down Firing + Full Range
	Sound Output (RMS)	5W x 2	10W x 2
Features	ConnectShare™ (USB 2.0)	Movie	Movie
	OSD Language	English, Spanish, French	English, Spanish, French
	Digital Clean View	Yes	Yes
	HDMI 1.4 A / Return Ch. Support (ARC)	Yes	Yes
	Anynet+ (HDMI-CEC)	Yes	Yes
	Auto Channel Search	Yes	Yes
	Auto Power Off	Yes	Yes
	Caption (Subtitle)	Yes	Yes
	Wake-up Timer	Yes	Yes
	Game Mode	Yes	Yes
	Picture-In-Picture	1 Tuner PIP	1 Tuner PIP
	Sleep Timer	Yes	Yes
	Hospitality Features	Samsung LYNK™ REACH Server Compatibility	Yes
Hospitality Plug&Play (Easy Set-up)		Yes	Yes
RJ 12 / IR Pass Through		Yes	Yes
Power on Mode		Yes	Yes
USB Cloning		Yes	Yes
Logo Display with Time Out Setting (BMP/Movie)		Yes	Yes
Welcome Message		Yes	Yes
Music Mode (Input : PC/AV/Component/HDMI)		Yes	Yes
Music Mode BackLight on/off		Yes	Yes
Auto Source Mode		Yes	Yes
Energy Saving Mode(BLU control)		Yes	Yes
Multi Code Remote Control		Yes	Yes
Screwed Remote Battery Cover		Yes	Yes
Smovie Compatibility		Yes	Yes
Sound bar compatibility		Yes	Yes
Samsung LYNK™ DRM	Yes	Yes	
Pro:Idiom™	Yes	Yes	
Input & Output	HDMI (Side/Rear)	1/2	1/2
	USB (Side/Rear)	1/0	1/0
	Composite In (AV) (Side/Rear)	1/1 (Common Use for Component Y)	1/1 (Common Use for Component Y)
	Audio Out (Mini Jack) (Side/Rear)	0/1	0/1
	RF In (Terrestrial/Cable input) (Side/Rear)	0/1	0/1
	RS232C	Yes	Yes
	RJ12 for External Control (Side/Rear)	0/1	0/1
	RJP Jack (Remote Jack Pack)	1	1
System	DTV Tuner	ATSC / Clear QAM	ATSC / Clear QAM
	Analog Tuner	Yes	Yes
Design	Front Color	Black	Black
	Stand Type	Square	Square
Dimensions (W x H x D)	Swivel (Left/Right)	20 / 60 / 90	20 / 60 / 90
	Set Size with Stand (mm) / (inches)	738.8 x 500.8 x 191.7 / 29.09" x 19.72" x 7.55"	927.6 x 607.0 x 227.6 / 36.52" x 23.90" x 8.96"
	Set Size without Stand (mm) / (inches)	738.8 x 436.7 x 93.2 / 29.09" x 17.19" x 3.67"	927.6 x 551.0 x 93.0 / 36.52" x 21.69" x 3.66"
Carton Dimensions	(H x L x W) (mm) / (inches)	902.0 x 530.0 x 162.0 / 35.51" x 20.87" x 6.38"	1104.0 x 641.0 x 175.0 / 43.46" x 25.24" x 6.89"
Weight	Set Weight with Stand (kg / lbs.)	7.8 / 17.2	11.9 / 26.2
	Set Weight without Stand (kg / lbs.)	5.8 / 12.8	9.0 / 19.8
	Package Weight (kg / lbs.)	9.6 / 21.2	12.1 / 26.7
VESA Mounting	Dimensions (mm)	200 x 200	200 x 200
	Screw Size	M6	M6
Power	Power Supply	AC110-120V 60Hz	AC110-120V 60Hz
	Multi Voltage	AC110-220V	AC110-220V
UPC	UPC	887276689067	887276689081
Accessory	Remote Controller Model	TM1050	TM1050
	Battery (for Remote Control)	Yes	Yes
	Vesa Wall Mount Support	Yes	Yes
	Power Cable	Yes	Yes
	Data Cable	Yes	Yes
	Quick Install Guide	Yes	Yes
	Security Screws	Yes	Yes
Stand Mount Kit	Yes	Yes	



**Order on our Website and Save!**

**800 218-3995 • [www.GoAVM.com](http://www.GoAVM.com)**

**Fax: 800-518-5528 • [sales@goavm.com](mailto:sales@goavm.com)**